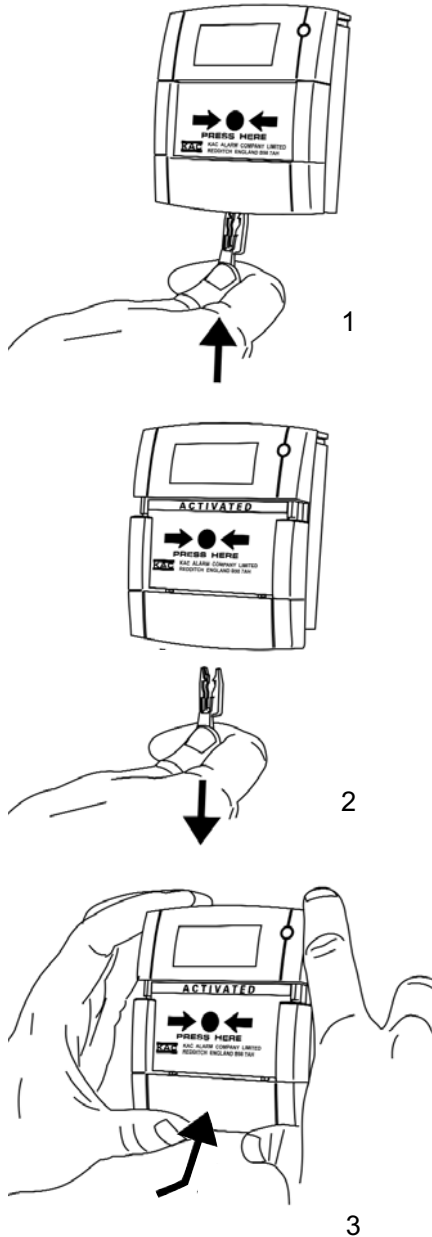
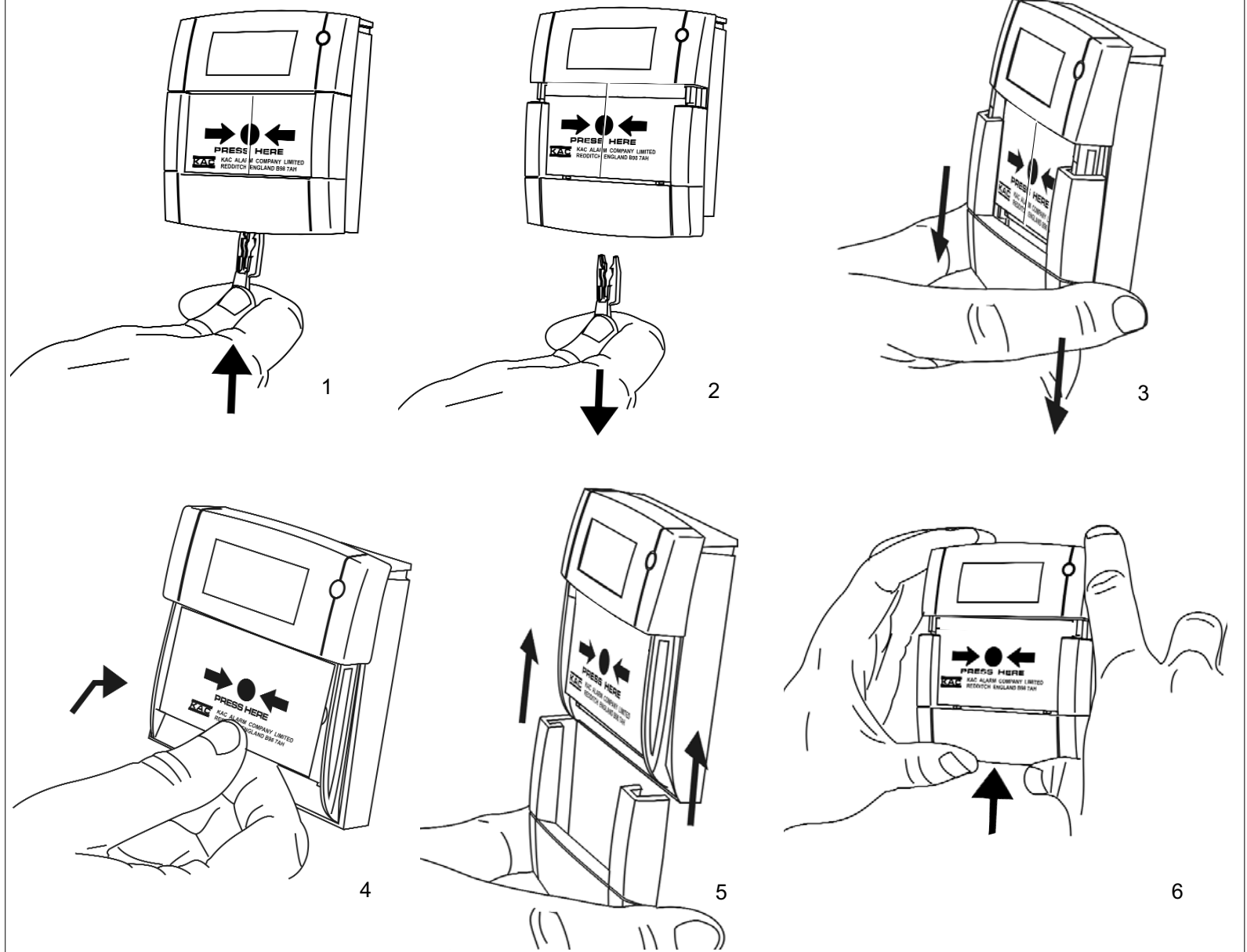


TO TEST & RESET**TO REPLACE GLASS / INTERCHANGE BETWEEN RESETTABLE AND GLASS ELEMENT**

GENERAL

The MCP5A models are designed for use as components of a compatible fire control system using appropriate analogue addressable devices.

Model MCP5A-xP01xx System Sensor Protocol - non-Isolation.

This model provides both signalling of alarm to the monitoring control panel, and local led indication of activation.

Model MCP5A-xP02xx System Sensor Protocol - with Isolation.

This model provides both signalling of alarm to the monitoring control panel, and local led indication of activation. This MCP also includes on board isolation, providing short circuit protection of the loop.

x represents the character used to indicate MCP colour.

'xx' represents the characters used to indicate mounting option and element type.

E.g. MCP5A-RP01SG = MCP5A Red, System Sensor protocol, non-isolation, Surface Mounting, with Glass element.

MOUNTING ARRANGEMENTS

The MCP5A may be installed as either a flush or surface mounted device in a normal internal environment. It is not intended for use in an externally exposed or hazardous location (refer to your supplier for product recommendations should these applications be involved).

Flush: Will fit to European single switch/socket boxes when Surface mounted. A plastic mounting box is available. The plastic mounting box when supplied with the call point has included as part of the packing box a tear off template, which can be used for locating the cable entry holes.

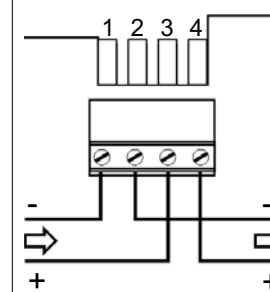
Important Notes: Please do not over tighten fixing screws. The use of lubricants, cleaning solvents or petroleum based products should be avoided.

INSTALLATION DETAILS - Please read carefully

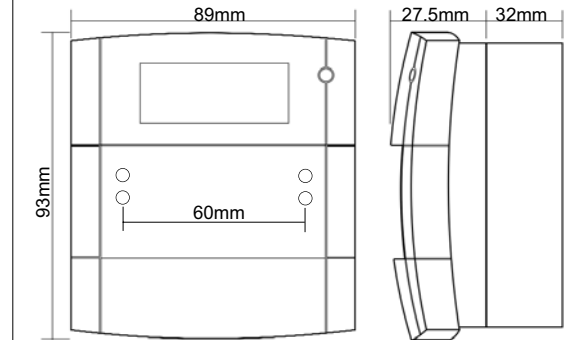
Do not connect circuit wiring to this call point, other field devices or the control panel, or apply power to any portion of the system until all necessary wiring polarity, continuity and insulation tests have been performed. All wiring must conform to applicable local and national regulations and codes of practice.

1. Terminate field wiring in the Push Fit Terminal Connector as shown taking care to maintain continuity of any shielding provided.
Positive (+) communication loop: Terminals 3 & 4
Negative (-) communication loop: Terminals 1 & 2
2. Set the call point address according to the designated project drawings, using a flat bladed screwdriver to turn the rotary address switches to the allocated number between 01-99. (Note: Address 00 set at the factory is recognised by the panel as a fault condition)
3. Plug the Terminal connector onto the rear of the call point as shown.
4. Fix call point to mounting box taking care that all cables are secure and have sufficient clearance. Locate glass or flexible element in the front of the call point and close cover as shown.

CONNECTION DETAILS

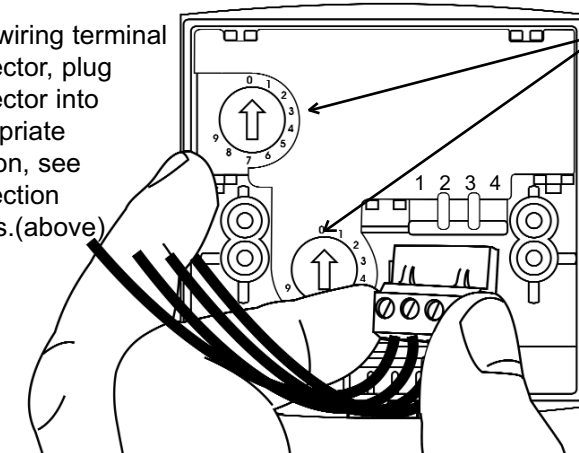


DIMENSIONS



PUSH FIT CONNECTOR

After wiring terminal connector, plug connector into appropriate position, see connection details.(above)



Selection Dials

TECHNICAL DATA



15V Min
30VDC Max



Quiescent - 260µA Typical (non isolating)
360µA Typical (isolating)



Alarm - 6mA Typical



IP24D



110/160g



-10°C to 55°C



Red, Ral 3001
Yellow, Ral 1006
Green, Ral 6016
White, Ral 9010
Blue, Ral 5002

For isolator specification refer to document SP04-2262 available on request

D703 issue 7