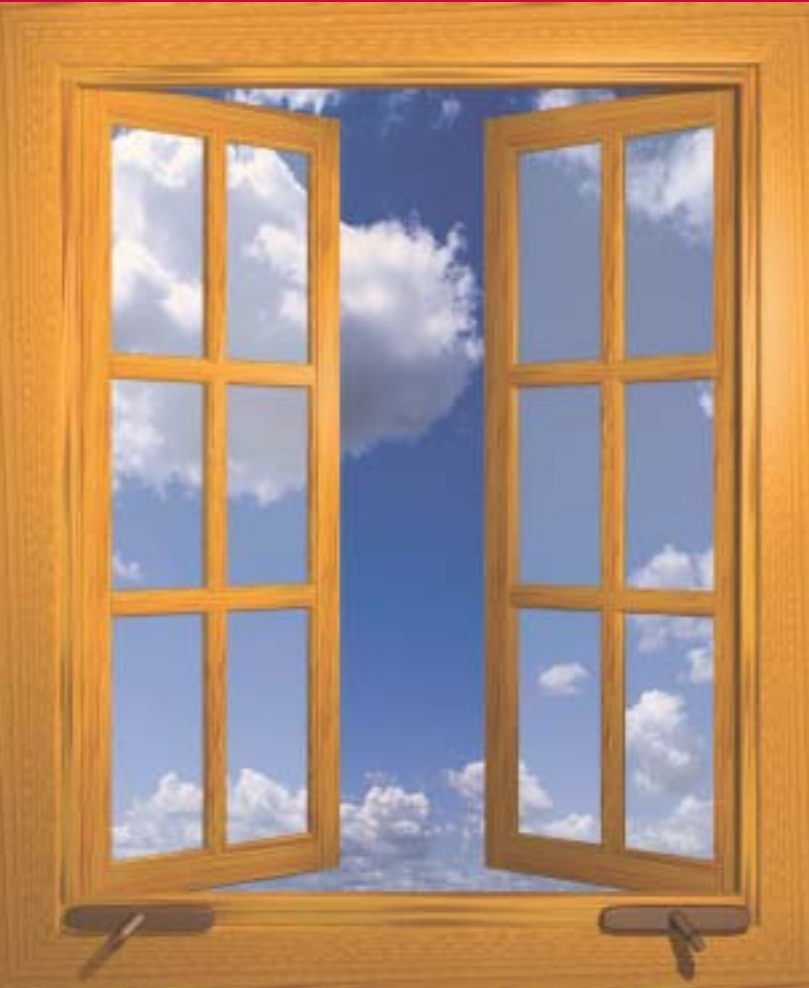


It's all open from here.



**EXCEL**5000 OPEN™  
SYSTEM

Never let technology impose  
limits on your future.



**EXC**



**T**hat thinking drove the design of Honeywell EXCEL® 5000 OPEN systems—the most flexible and open communication platform for building management anywhere. And openness is a very good thing. ■ It means no limits on the way you

create and interact with your system. ■ No roadblocks to growth. ■

And no limit to the efficiency, productivity, comfort, or control you can

achieve. The EXCEL® 5000 OPEN system lets you control your building

the way you want to—now, and in the future. From a small, single-story

building with simple, packaged HVAC equipment to a building campus with its own central plant, EXCEL®

5000 OPEN provides an open integration of Honeywell control systems and other manufacturers’

products through a single user interface. ■ So, when you build on the EXCEL® 5000 OPEN system

platform, you really are opening a world of possibilities. ■ It’s a launch pad for blue-sky thinking. And a

starting gate for the straight-ahead realities you face today. Choose the platform that lets you see and

control your building’s future best.

When you build on EXCEL 5000® OPEN systems, it’s all open from here.

**CEL**5000 **OPEN**™  
S Y S T E M



LONMARK®

EXCEL® 5000 OPEN systems:

## Open, easy to use, proven performance.

The proven benefits of open, integrated building control

**Peak building performance:**

Integration improves efficiency of equipment operation and functionality of controls and programs while extending equipment life

**Lower operating and energy costs:**

Simpler, single-point access to operating and energy information improves your control

**Simpler installation, operation and maintenance:**

Common protocol makes monitoring multi-vendor systems transparent

**Faster, easier set-up:**

Free topology transceiver technology simplifies wiring, uses standard network tools

**Unlimited, low-cost growth:**

Scalable system expands incrementally, accepts multiple systems

Some of the world's best-run buildings—and businesses—are built on the foundation of open, integrated building control: on the EXCEL® 5000 OPEN system.

EXCEL® 5000 OPEN system encompasses Honeywell's open and modular group of controllers and interfaces. It can help you monitor and manage all of your needs, including third-party Lon devices (lighting, refrigeration, HVAC)—through a single interface. It's the best way to simplify the management of one building or many. To ensure occupant comfort and user productivity. And to keep your business running lean.

**Open options**

Every control device in the EXCEL® 5000 OPEN system family uses LONMARK®-based open communications protocol: the worldwide standard in building control. And now, all the Honeywell open system devices operate on the same network, use the same communications protocol, and share a common physical structure.

It's a truly open communication platform that separates this system from the rest—and keeps your building management options open. Devices

can be operated as standalone solutions, or linked in a network.

The open platform makes it easy to adapt third-party devices, too.

Best of all, openness means freedom. With the EXCEL® 5000 OPEN system, you're free to operate, change, and grow your building management system the way you want to. Now you can accommodate tenant changes, equipment changes, and system expansion as you go—without complex reprogramming or redesigning your system. A software modification—not new hardware—is all that's usually needed to change your building application.

Keep your options open with the EXCEL® 5000 OPEN system.

**Easy to use**

The EXCEL® 5000 OPEN system is easy to use right from the start. Just one tool is all you need to engineer, document and commission all controllers and other networked devices. Legacy systems are easily integrated at the same time. You'll save headaches and reduce installation time.



Building control that's easy to use—and at your fingertips.

It's easy to see and manage the control conditions in your building with the EXCEL<sup>®</sup> 5000 OPEN system, too. Application programs are ready to run. And they're easily accessed through a keypad display, a graphical PC workstation with Windows<sup>®</sup>-based EXCEL<sup>®</sup> 5000 OPEN software, or from an off-site location, using remote dial-up or Web. Operator interfaces and descriptive messages are simple enough for even non-technical users.

#### Proven performance

The advantages of integrated building control are real—and measurable. And with thousands of devices successfully installed over the past decade, Honeywell's EXCEL<sup>®</sup> 5000 OPEN system is truly the proven performer.

Now you have the power and versatility to control as many points in as many locations as you need to. And, when integrated with a Honeywell building management front-end, the EXCEL<sup>®</sup> 5000 OPEN system performs a wide range of supervisory functions that deliver efficient, reliable operation of primary plant, room or zone control. You'll gain functionality in controls and programs, while benefiting from more efficient equipment operation.

Honeywell's leadership in control technology spans more than 110 years. You can count on the EXCEL 5000 OPEN system to deliver enduring value and reliable performance throughout your building lifecycle.

## Controller Families

Smart Excel<sup>™</sup> 500: Grow your system flexibly

The Smart Excel 500 includes LONMARK<sup>®</sup>-compliant, freely programmable, modular DDC controllers that manage heating, ventilating, and air conditioning applications.



Use the Smart Excel 500 for a link to distributed and smart input/output modules anywhere in your building. This allows for future expansion and reduces installation time.

#### Features

- Proven energy management programs include optimum start/stop, night purge and maximum load demand
- Modular design allows easy, low-cost initial wiring and future expansion
- Open communications using LONWORKS<sup>®</sup> protocol between controllers and other devices
- Convenient access through local display, local workstation, or remote workstation via dial-up or Web
- Automatic binding saves engineering time

Excel<sup>™</sup> 50: A plant controller with broad capabilities  
The Excel 50 is designed for both standalone building control and network applications. It's a low-cost solution for central plants and air handling units with limited controller input/output requirements, or for small commercial buildings. Controls alarm handling, scheduling, trending, and other building management and control functions.



#### Features

- Single location building management from simple, menu-driven LCD
- Convenient remote communication capability

- Proven energy management programs include optimum start/stop, night purge, and maximum load demand
- Auto-configuration and engineering reduce start-up costs
- Available with or without operator terminal

#### EXCEL<sup>™</sup> 10: Application-specific controllers

The Excel 10 family is comprised of a number of configurable, application-specific controllers. Each was designed to operate a specific piece of mechanical equipment to eliminate additional engineering time. Just enough flexibility was added so that they can handle every installation without adding complexity.

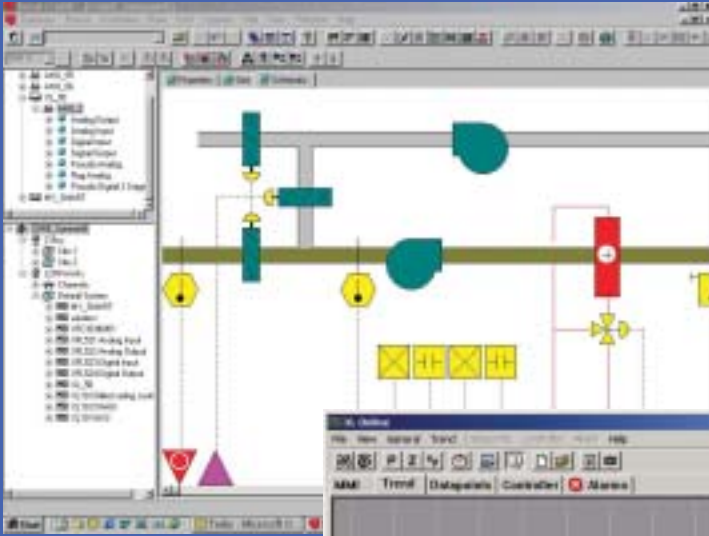
#### Features

- Extended temperature ratings allow mounting right on the equipment
- Open LONWORKS<sup>®</sup> communication allows packaged equipment and built-up systems to "talk" on one network
- Controller for all the most common types of packaged equipment
- Advanced control sequences are built into the devices

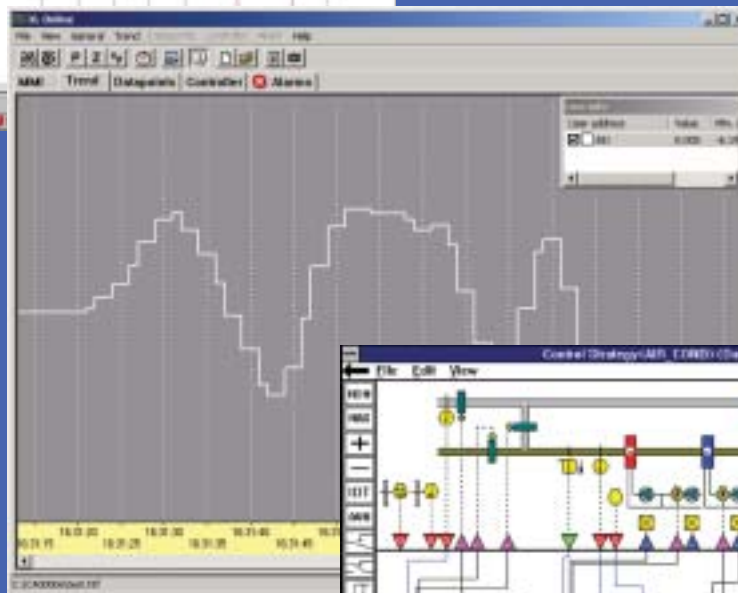


The Excel<sup>™</sup> 10 family is Honeywell's line of unitary controllers for room and zone control. All devices are open, for seamless operation with third-party products.

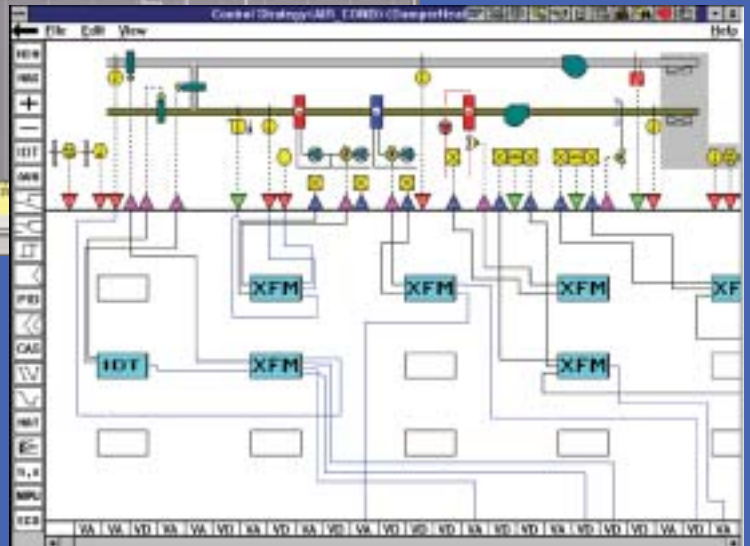




Plant schematic uses graphical programming to link points, algorithms and controllers.



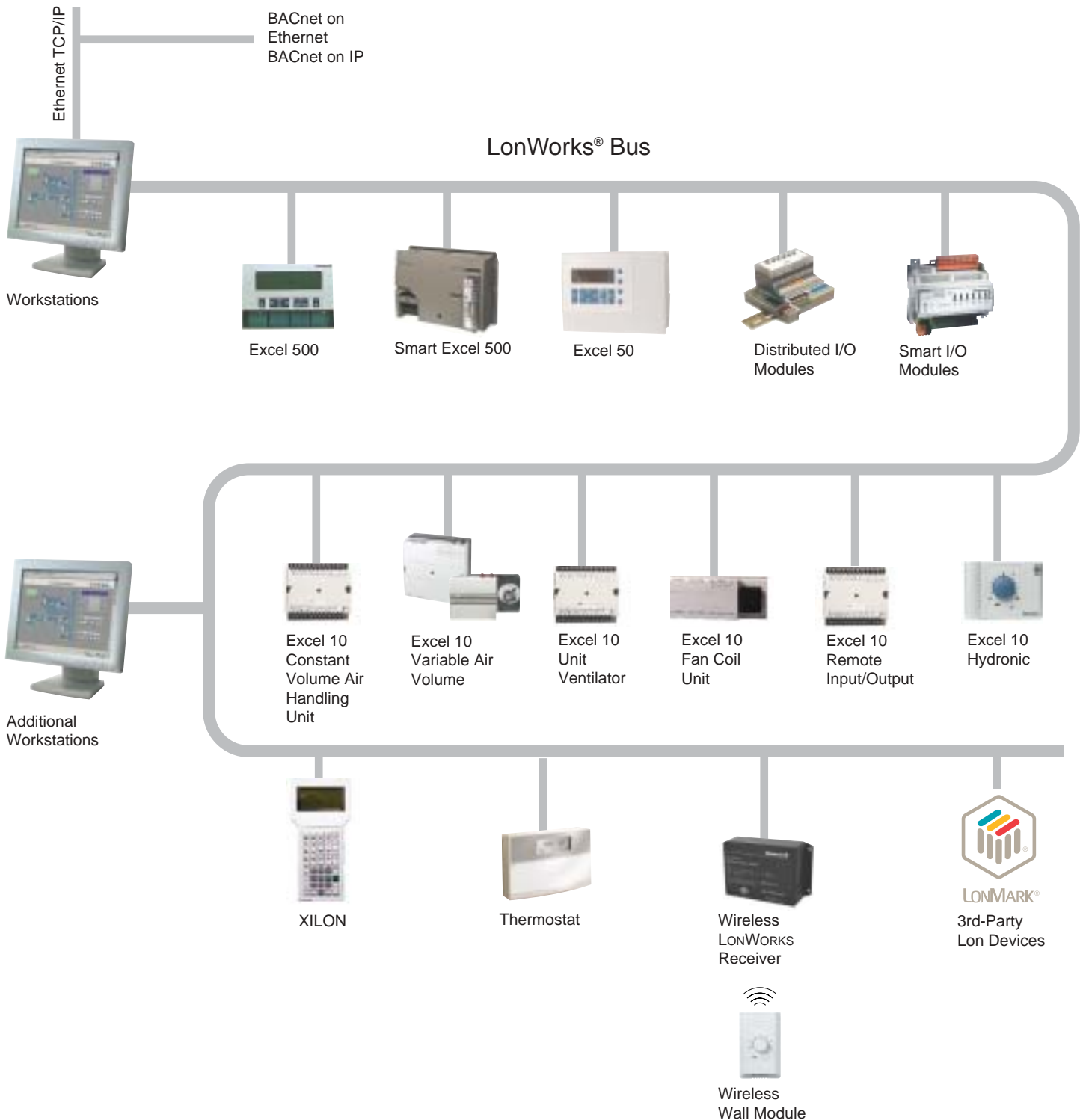
XL Online monitors and trends controller points for immediate data access.



Control logic allows you to take advantage of full conditional logic and math capacity for the utmost in flexibility.



# EXCEL® 5000 OPEN Architecture



LONMARK® and LONWORKS® are registered trademarks of the Echelon Corporation  
 Windows® is a registered trademark of the Microsoft Corporation  
 EXCEL® 5000 OPEN system is a registered trademark of Honeywell International Inc.  
 Excel™ 10, 50 and 500 are trademarks of Honeywell International Inc.

**Honeywell**

## Automation & Control Solutions

In the US: Honeywell, 1985 Douglas Drive North, Golden Valley, MN 55422-3992

In Canada: Honeywell Limited, 35 Dynamic Drive, Toronto, Ontario M1V 4Z9

